



DMX Rotary Actuator

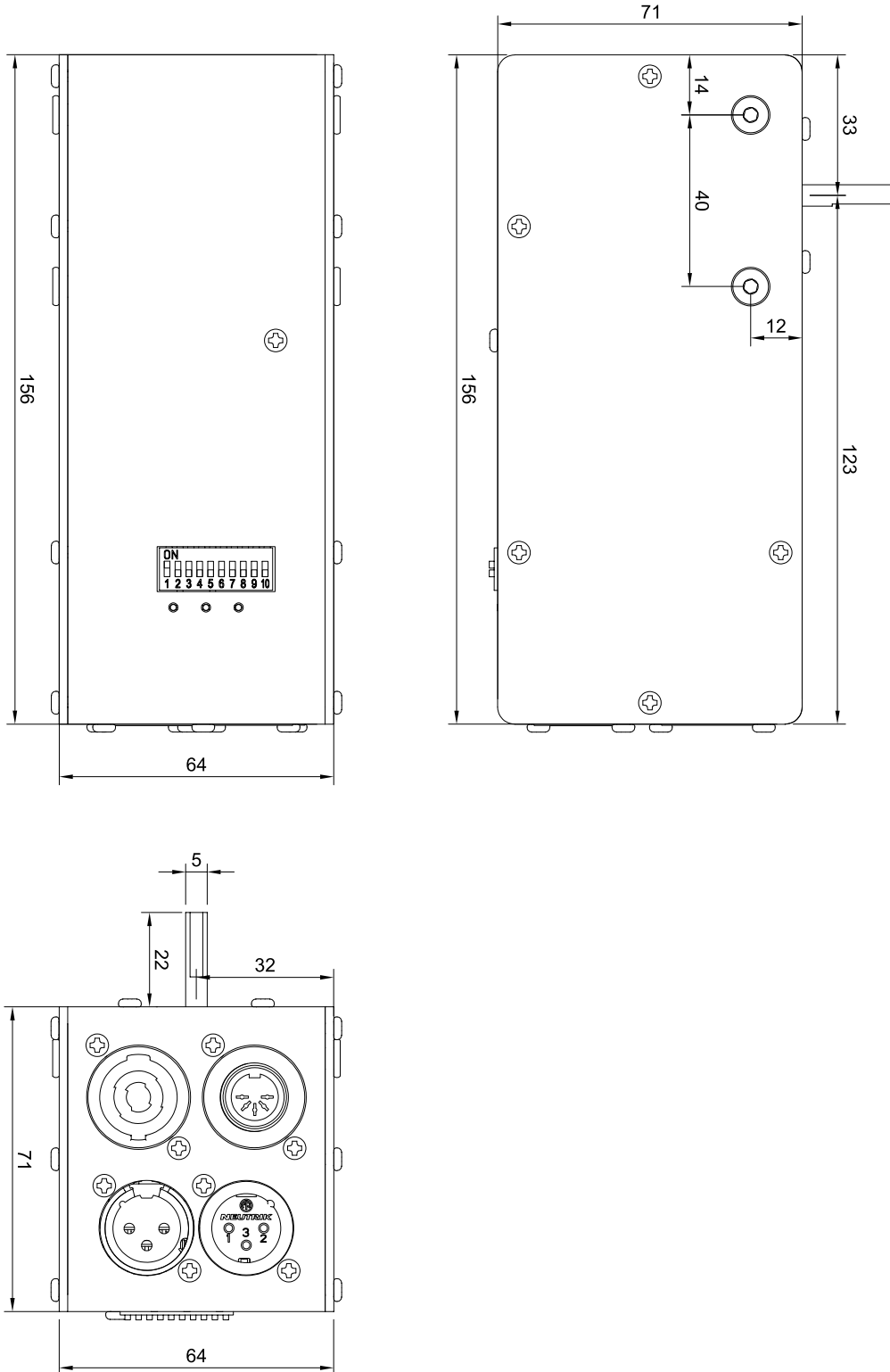
The **DMX Rotary Actuator** is a modular kinetic component to realize synchronized movements for stage and installations. Offering super-silent operation, high speed and precise positioning, the **DMX Rotary Actuator** can be used to facilitate wide-range spatial animations and controlled rotary movements.

Technical specification

- 0.1 – 300 RPM speed
- 5kg/cm or 10kg/cm radial force
- 5mm or 6.35mm shaft diameter
- External input for limit switches via 5-pin socket
- 6 DMX channels
- 12 VDC power supply
- Configurable via the **DMX LA Configurator** software
- Controllable via the **DMX LA Designer** software
- Compatible with software like TouchDesigner, Madrix, MadMapper etc.
- Optional: Closed loop version with angle feedback

DMX Rotary Actuator

Technical drawing

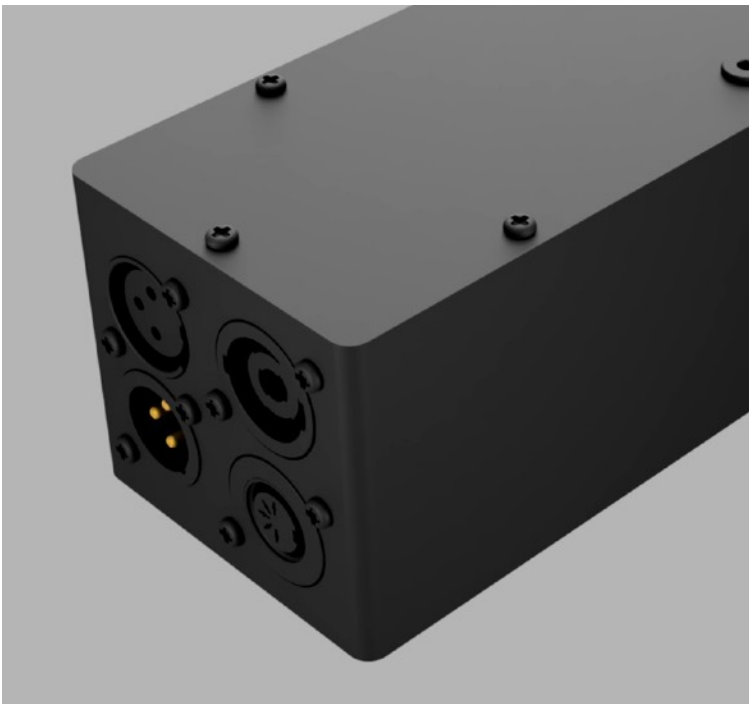


DMX Rotary Actuator

Addressing / Connectivity



- DMX512 compliant addressing
- 6 DMX Channels 8 / 16 Bit
- Channel 1: Position (8 Bit MSB)
- Channel 2: Position (8 Bit LSB)
- Channel 3: Velocity (8 Bit)
- Channel 4: Ramp / Mode (8 Bit)
 - 0 – 127: Fixed velocity mode
 - 128 – 255: Dynamic velocity mode
- Channel 5: Current Mode (8 Bit)
- Channel 6: Reset (8 Bit)
- 10 Bit DIP switch



- 3-pin XLR connectors for IN / THRU DMX
- 5-pin connector for limit switch input (Min. and max. position)
- Speakon connector for IN 12 VDC