

## DMX Linear Actuator

The **DMX Linear Actuator** is a modular kinetic component to realize large-scale physical variable surfaces or spaces. Offering a variable length with precise step resolution, the **DMX Linear Actuator** can be used to facilitate wide-range spatial animations and synchronized physical shapes.

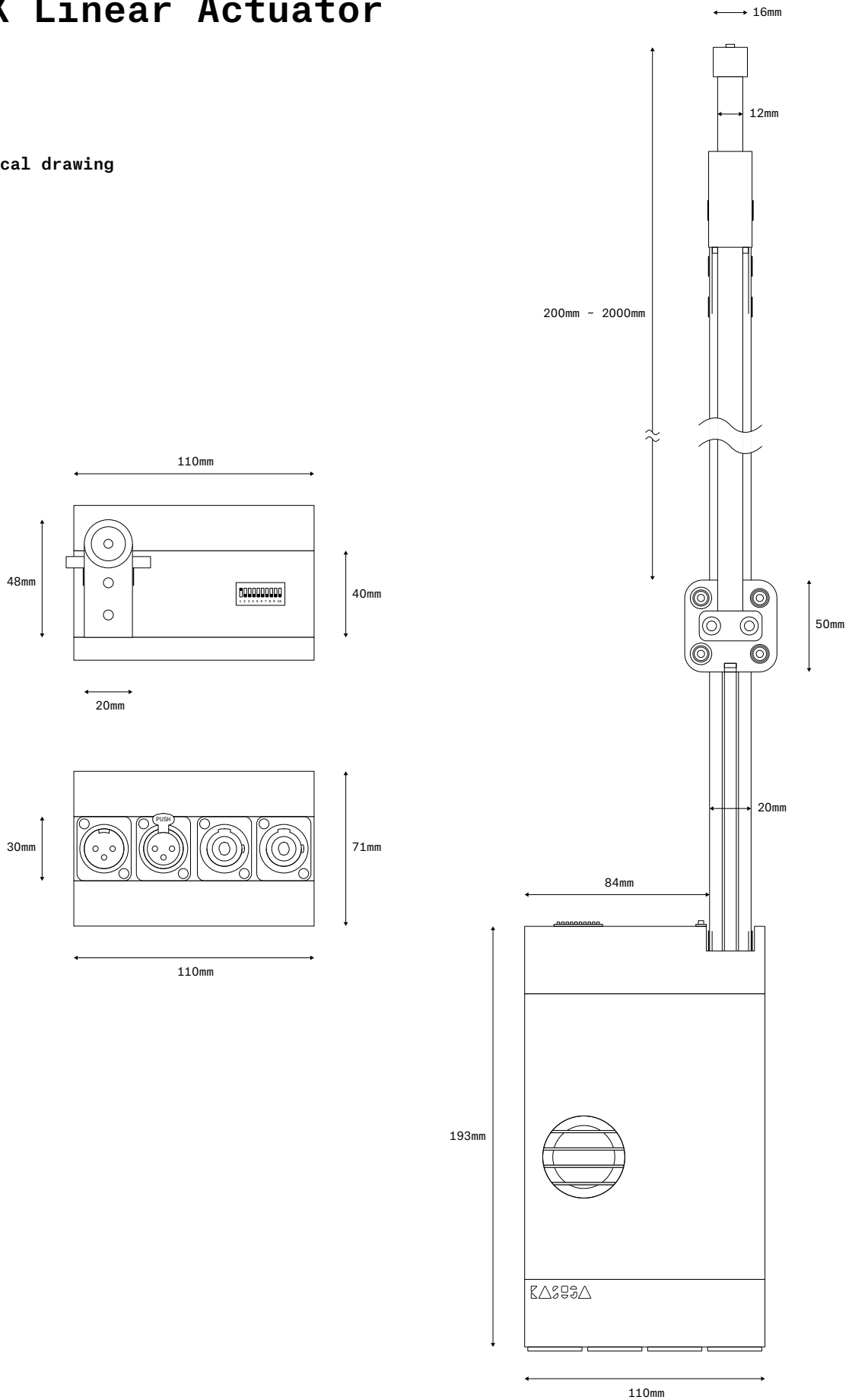
The modular concept of the **DMX Linear Actuator** allows custom arrays and stacks e.g. together with stretchable fabric, lighting modules or custom actuator forms to create imposing, unique kinetic installations.

### Technical specification

- › 20 – 200cm length
- › 0.1 – 3kg push / pull
- › 0.1 – 30cm/s speed
- › 1.5mm per step resolution
- › 95% super silent mode
- › 2 – 4 DMX channels
- › 230/110 VAC

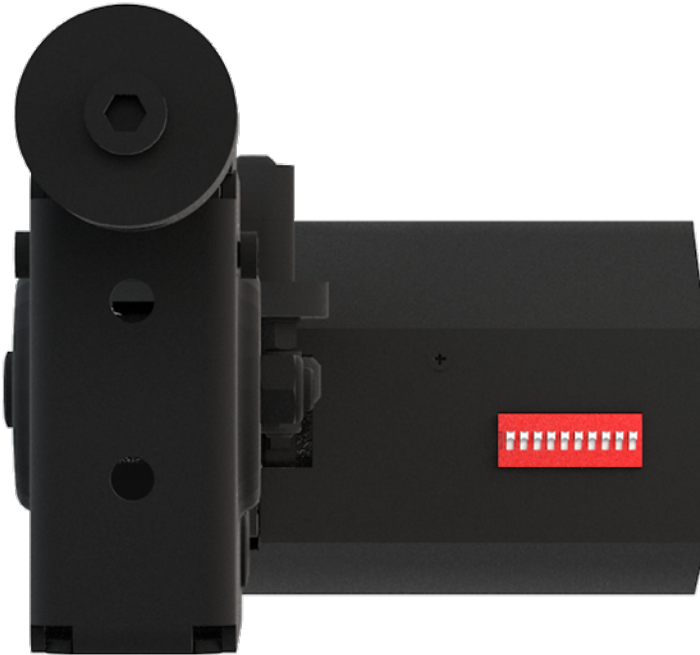
# DMX Linear Actuator

Technical drawing



# DMX Linear Actuator

## Addressing / Connectivity



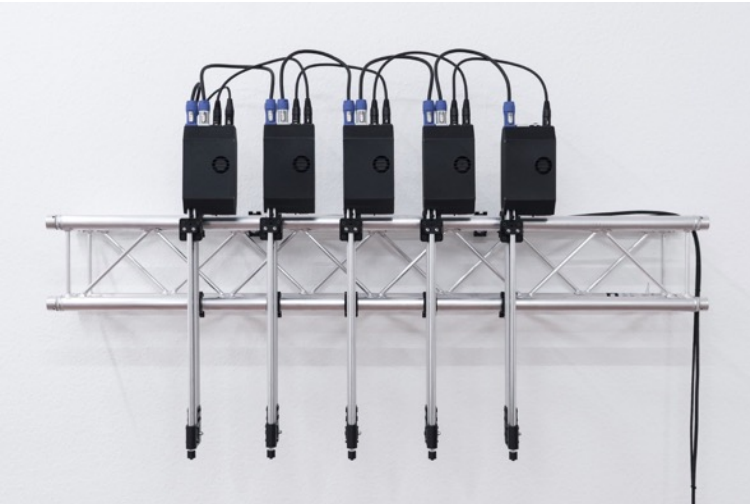
- › DMX512 compliant addressing
- › 2 - 4 DMX Channels 8 / 16 Bit
- › Channel 1: Position (8 / 16 Bit)
- › Channel 2: Speed (8 Bit)
- › 10 Bit DIP switch



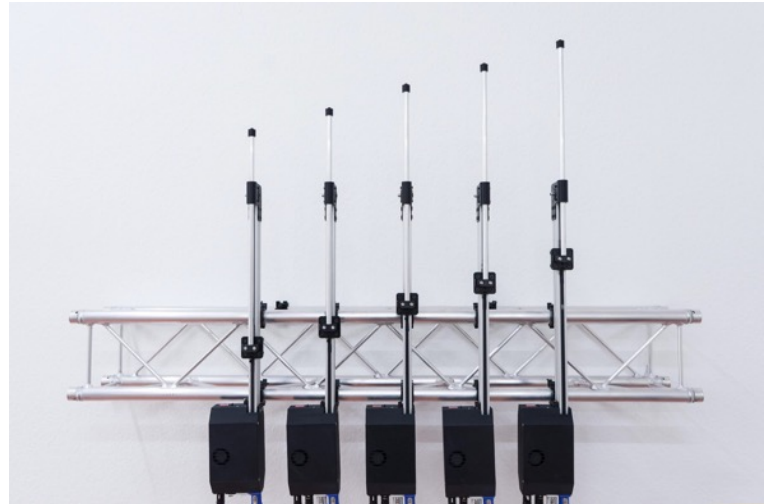
- › 3-pin XLR connectors for IN / THRU DMX
- › Speakon™ powerCON connectors for IN / OUT 230/110 VAC

# DMX Linear Actuator

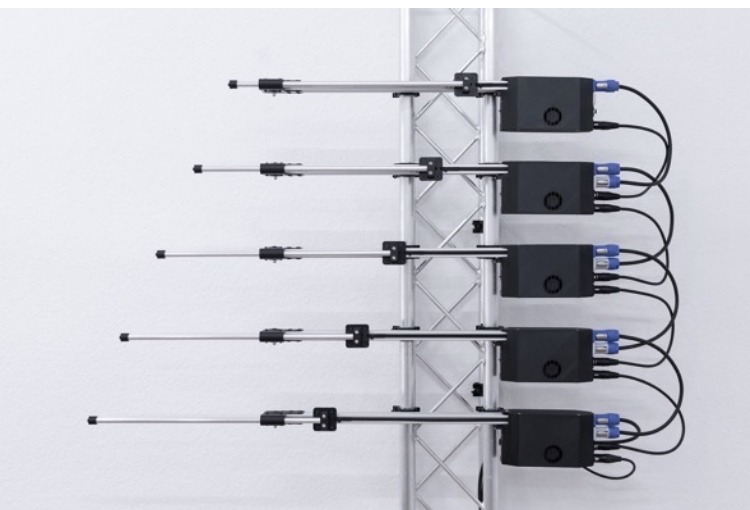
## Mounting



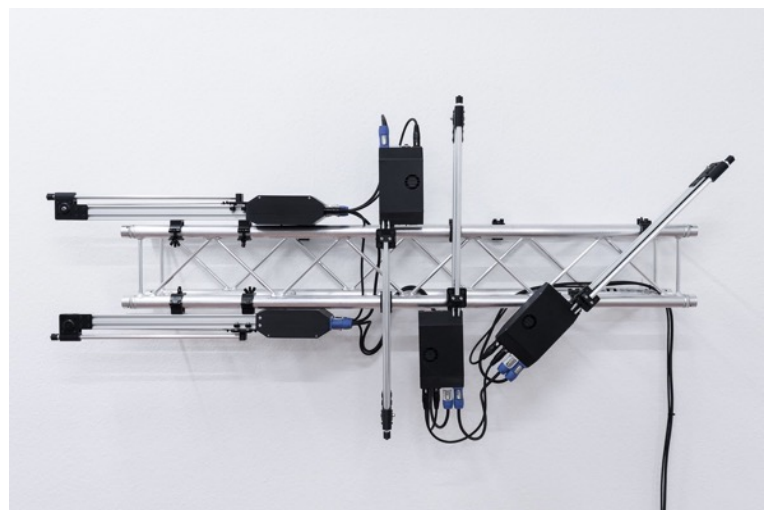
Vertical downward mounting



Vertical upright mounting



Horizontal mounting



Mixed / diagonal mounting