

## DMX Linear Actuator Micro

The **DMX Linear Actuator Micro** is a modular kinetic component to realize granular, synchronized physical motion. Offering a fixed length with precise positioning, the **DMX Linear Actuator Micro** can be used to facilitate wide-range animated surfaces and delicate spatial movements.

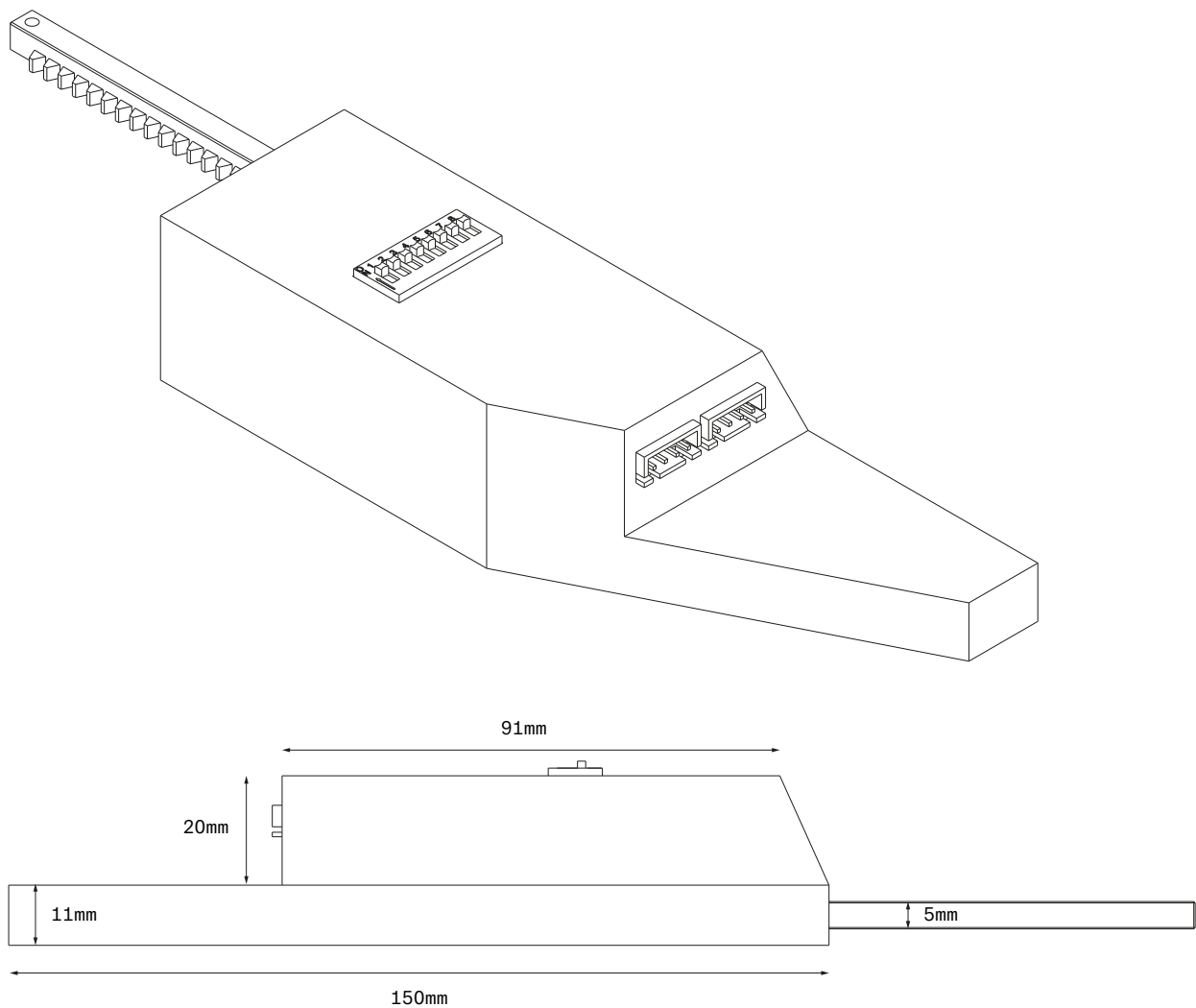
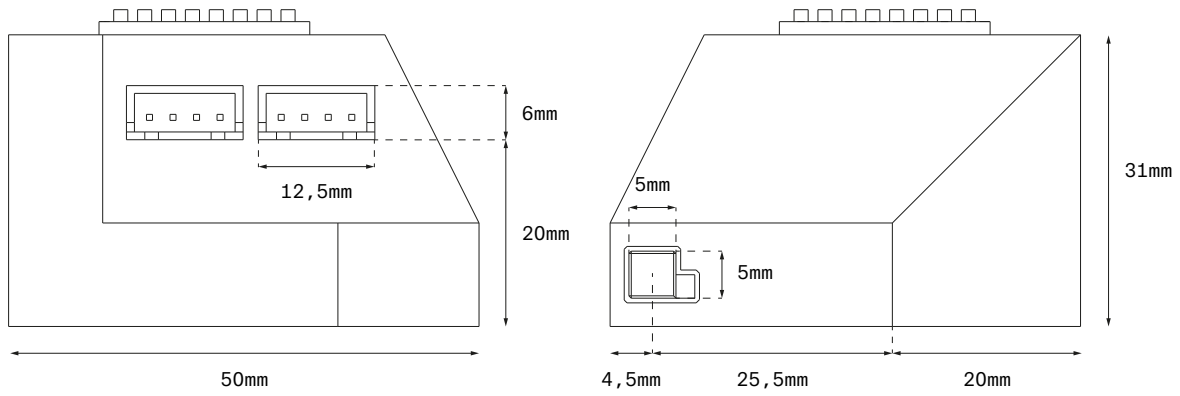
The modular concept of the **DMX Linear Actuator Micro** allows custom arrays and stacks e.g. together with custom fixtures, stretchable fabric or lighting modules to create imposing, unique kinetic installations.

### Technical specification

- › 10cm length
- › 1 – 150g push / pull
- › 0.1 – 2cm/s speed
- › 2 DMX channels (8bit Position, 8bit Speed) via DMX/I2C-Demuxer
- › 5 VDC power supply
- › Controllable via the **DMX LA Designer** software
- › Compatible with software like TouchDesigner, Ableton Live, MadMapper etc.

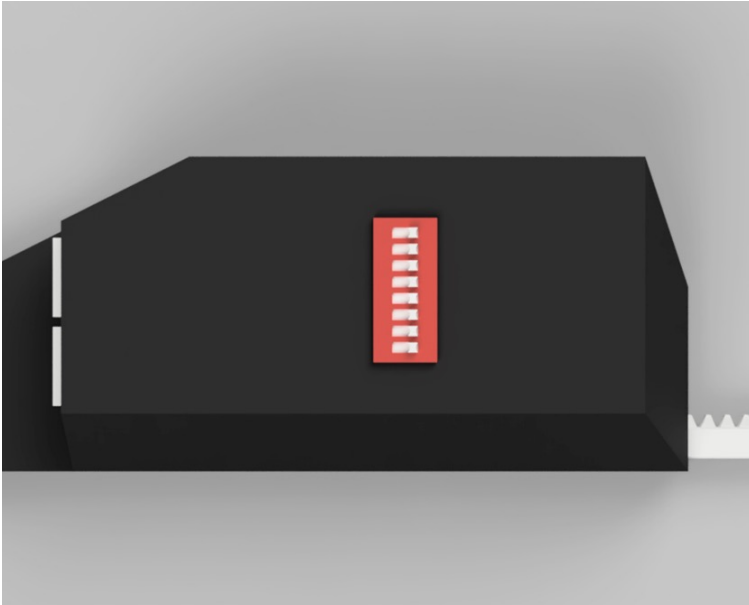
# DMX Linear Actuator Micro

## Technical drawing

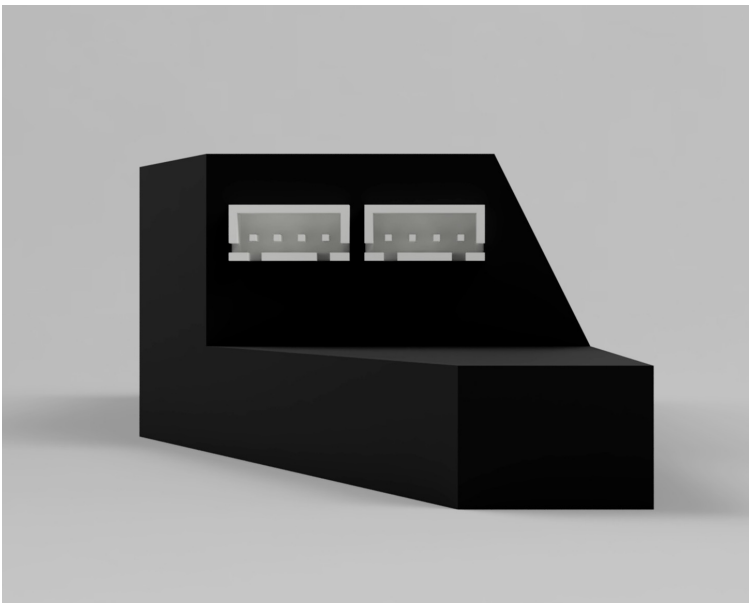


# DMX Linear Actuator Micro

## Addressing / Connectivity



- › DMX512 compliant addressing
- › 2 DMX Channels 8 Bit
- › Channel 1: Position (8 Bit)
- › Channel 2: Speed (8 Bit)
- › 8 Bit DIP switch



- › 4-pin JST XH connectors for IN / THRU I2C and 5 VDC
- › DMX conversion and 5 VDC supply via DMX/I2C-Demuxer